

SKELDO®

Heat shrinkable cable accessories

Shrinkable tubes

Shrinkable cable caps

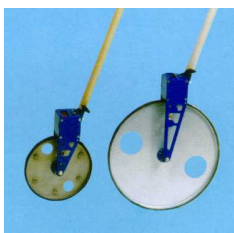
Cable joints

Cable terminations

Repairing sleeves
etc.



Tools , Crimping tools



SKELDO s.r.o.
Radynska 24 , 326 00 Plzen
Czech republic

Tel.+fax. +420 - 377 246 372
E-mail : skeldo@skeldo.cz
<http://www.skeldo.cz>

1. Heat shrinkable polyolefine tubes

both sealant lined and without the inside wall sealant



General use

- cable ending sand sealing of electric terminal connector
- to connect groups of conductors
- for power and telecommunication cable joints
- to repair damaged insulation of cables
- to insulate sticks and other objects
- to repair or joint tubes (e.g. water pipes)
- for mechanic and anticorrosive protection of conductor and other materials
- coloured tubes as decorative elements

Shrinking

- shrinking temperature more than 120°C by hot air or soft yellow flame

Specifications

- | | | | |
|----------------------------------|-------|---------|-----------------------|
| • volume resistivity | min. | | 10 ¹³ Ω.cm |
| • dielectric strength | min. | | 15 kV/mm |
| • tensile strength | min. | | 12 MPa |
| • longitudinal change | max. | | 15 % |
| • shrink temperature | | | 120°C – 200°C |
| • shrink ratio | 2 : 1 | step to | 3 : 1 |
| • acceptable working temperature | | | -55°C - + 105°C |
| • heat shock resistance /4 h./ | | | 200 ± 3°C |
| • water absorption | max. | | 0,2 % |
| • density | | | 0,93 g/cm |

Basic distinction

- thin wall **RCACS, RCK, RCz, RCADW** type
- medium wall **RP, RPz, RPK, RPKz, RD, RDK** type
- thick wall **RG, RGK** type

- **RCACS, RCz, RP, RPz, RG, RD** types without the inside wall sealant
- **RCADW, RCK, RPK, RPKz, RGK, RDK** – sealant lined

Storing:

In a sheltered place or warehouse from -10°C to +35°C

1.1.1 Thin wall heat shrinkable highly flame retardant tubes -RCACS type



- flexible
- highly flame retardant
- environment friendly
- free from heavy metals and harmful substances such as PBB's, PBBO's, PBBE's
- without the inside wall sealant
- good resistance against solvents and chemicals
- easy to cut
- colours: black – standart colour
it's possible to arrange other colours according to the type and amount of the particular artefact – red, green, blue, yellow, white and transparent
- lengths: basic 1m, after an agreement even others, for example 50m on a spool
- minimum shrink temperature 70°C by hot air or soft yellow flame
- minimum full recovery temperature 100 °C
- general use in industry as electric insulation from -55°C up to +125°C

Packing: in closed folio with type indication

Storage: in a sheltered place, temperature from -10°C up to +35°C

Dimensions and types

Nr.	Type	Inside diameter before and after		Wall thickness after complete shrinking t mm
		d ₁ mm	d ₂	
148101..	RCACS 1,6 / 0,8	1,6	0,8	0,36
148102..	RCACS 2,4 / 1,2	2,4	1,2	0,44
148103..	RCACS 3,2 / 1,6	3,2	1,6	0,44
148104..	RCACS 4,8 / 2,4	4,8	2,4	0,51
148106..	RCACS 6,4 / 3,2	6,4	3,2	0,56
148109..	RCACS 9,5 / 4,8	9,5	4,5	0,56
148112..	RCACS 12,7 / 6,4	12,7	6,4	0,65
148119..	RCACS 19 / 9,5	19,0	9,0	0,80
148125..	RCACS 25,4 / 12,7	25,4	12,7	0,90
148138..	RCACS 38 / 19	38,0	19,0	1,02
148151..	RCACS 51 / 25,5	51,0	25,5	1,14
148276..	RCACS 76 / 38 /on demand/	76,0	38,0	1,14
148200..	RCACS 102 / 51 /on demand/	102,0	51,0	1,30
148226..	RCACS 126 / 63,5 /on demand/	126,0	63,5	1,30
148250..	RCACS 152 / 76 /on demand/	150,0	76,0	1,30

The method of ordering:

Example : 50 pcs RCACS 19/9,5 black
 number of metres _____ | | | _____ colour
 type _____ |

1.1.2 Thin wall heat shrinkable tubes with sealant- - RCK type

- flexible
- with the inside wall sealant
- good resistance against solvents and chemicals
- easy to cut
- colours: black, red, green, blue, yellow and transparent
- lengths: basic 1m, after an agreement even others, for example 50m on a spool
- shrink temperature more than 120°C by hot air or soft yellow flame
- general use: in automotive industry, telecommunications, electronics as an electric insulation from -55°C up to +105°C
- provides hermetically protected joints, mechanical protection

Packing: in closed folio with type indication

Storage: in a sheltered place, temperature from -10°C up to +35°C

Dimensions and types

Nr.	Type	Inside diameter before and after		Wall thickness after complete shrinking t mm	Sealant thickness after complete shrinking [mm]
		d ₁ [mm]	d ₂		
142531..	RCK 3 / 1	3,0	1,0	1,00	0,4
142541..	RCK 4 / 1	4,0	1,0	1,00	0,4
142562..	RCK 6 / 2	6,0	2,0	1,20	0,5
142582..	RCK 8 / 2	8,0	2,0	1,20	0,5

The method of ordering:

Example : 50 pcs. RC 4 / 1 - 1000 green
 number of pieces _____ | | | | _____ colour
 type _____ | | | | _____ length

50 m RC 4 / 1 green on a spool
 number of pieces _____ | | | | _____ colour
 type _____ | | | |

1.2 Thin wall shrinkable tubes in a PE bag



- flexible
- mechanically durable
- excellent insulation
- suitable for marking the conductors
- without the inside sealant

Use:

- to mark cables and conductors or a bunch of conductors
- conductor endings
- suitable for both hobby and work

Shrinking:

- shrinking temperature more than 120°C by hot air or soft yellow flame

Types

Nr.	Type	Inside diameter before and after shrinking		Wall thickness after shrinking t mm	Length mm	Number of pieces	Colour
		d ₁ mm	d ₂				
14800200	RC 2,4/1,2	2,4	1,2	0,51	30	40	black, green
14800300	RC 3,2/1,6	3,2	1,6	0,51	30	36	black, green, red, light blue
14800400	RC 4,8/2,4	4,8	2,4	0,51	30	32	black, green red, light blue
14800600	RC 6,4/3,2	6,4	3,2	0,64	30	30	black, green red, light blue
14800800	RC 8/2	8,0	2,0	0,64	30	24	black, green red, light blue
14800900	RC 9,5/4,8	9,5	4,8	0,64	30	26	black, green red, light blue
14801200	RC 12,7/6,4	12,7	6,4	0,64	30	20	black, green red, light blue

The method of ordering : 2 pcs. RC 4,8/2,4 - 1 packing

 SKELDO s.r.o. , Radynska 24 , 326 00 Plzen , Czech Republic Telefax +420 - 377 246 372

1.3 Thin wall heat shrinkable tubes with sealant, type RCADW



Applications

Manufactured by co-extrusion of polyolefin and hot-melt adhesive. Designed to provide both insulation and sealing for protected articles. Used to protect auto wires, shipping cable, bundle wires and metal tubes against water and moisture.

- basic length 1,22m , black colour

Features

Good electrical insulation and waterproof connection.

Packing: in closed folio with type indication

Storing: in a sheltered place, temperature from -10°C up to $+35^{\circ}\text{C}$

Types and dimensions

Nr.	Type	Inside diameter before and after shrinking		Wall thickness after shrinking t mm
		d ₁ mm	d ₂ mm	
14227310	RCADW 3/1	3	1	1,00
14227410	RCADW 4,8/1,5	4,8	1,5	1,00
14227620	RCADW 6/2	6	2	1,00
14227930	RCADW 9/3	9	3	1,40
14227120	RCADW 12/4	12	4	1,60
14227190	RCADW 19/6	19	6	2,15
14227240	RCADW 24/8	24	8	2,40
14227300	RCADW 30/10 /on demand/	30	10	2,40
14227400	RCADW 40/13 /on demand/	40	13	2,40
14227500	RCADW 50/19 /on demand/	50	19	2,40

Ordering :

Example : 50 pcs. RCADW 6/2 - 1220 black
 Number of pieces _____ | _____ | _____ | _____ colour
 Type _____ | _____ | _____ | _____ length

1.4 Medium wall heat shrinkable tubes type RP



- universal and flexible
- RP type without the inside wall sealant
- good resistance against solvents, chemicals
- lengths: basic length 1m, it's possible to arrange other lengths
RP types from 12/4 up to 52/20 max. 25m
- **Colour:** black, it's possible to arrange other colours – brown, green, red
- **Shrinking:** temperature more than 120°C by hot air or soft yellow flame
- **Use:** universal in industry. power electrotechnology up to 1kV, as a mechanic and electric protection of all kinds of whole-plastic cables

Types and dimensions

Nr.	Type	Inside diameter before and after shrinking		Wall thickness
		d ₁ mm	d ₂	after complete shrinking t mm
147109..	RP 9/3	9	3	2,0
147112..	RP 12/4	12	4	2,0
147117..	RP 17/3	17	3	2,0
147118..	RP 18/6 / final sale /	18	6	2,0
147119..	RP 19/6	19	6	2,0
147118..	RP 22/6	22	6	2,0
147125..	RP 25/10	25	10	2,0
147130..	RP 30/8	30	8	2,0
147132..	RP 32/12 / final sale /	32	12	2,0
147132..	RP 35/12	35	12	2,0
147141..	RP 40/12	40	12	2,1
147140..	RP 40/16	40	16	2,2
147150..	RP 50/16	50	16	2,2
147152..	RP 52/20	52	20	2,2
147163..	RP 63/27 / final sale /	63	27	2,5
147164..	RP 63/19	63	19	2,5
147175..	RP 75/22	75	22	3,0
147180..	RP 80/35	80	35	2,5
147195..	RP 95/30	95	30	3,5
147100..	RP 103/45	103	45	2,5
147315..	RP 115/34	115	34	3,3
147103..	RP 132/58	132	58	2,5
147114..	RP 140/42	140	42	3,5

Ordering:

Example: 100 pcs RP 63/19 – 1200 black
Number of pieces _____ | _____ | _____ | _____ color
Type _____ | _____ | _____ | _____ length

SKELDO s.r.o. , Radynska 24 , 326 00 Plzen , Czech Republic Telefax +420 - 377 246 372

1.5 Medium wall heat shrinkable tubes type RPK



- universal and flexible
- RPK tape with thermoplastic inside wall sealant has high adhesiveness to metals, steel, aluminium and lead
- good resistance against solvents, chemicals
- lengths: basic length 1m, it's possible to arrange other lengths
RPK types max. 1,2m
- **Colour:** black, it's possible to arrange other colours – brown, green, red
- **Shrinking:** temperature more than 120°C by hot air or soft yellow flame
- **Use:** universal in industry. power electrotechnology up to 1kV, as a mechanic and electric protection of all kinds of whole-plastic cables

Types and dimensions

Nr.	Type	Inside diameter before and after shrinking		Wall thickness after complete shrinking t mm
		d ₁ mm	d ₂	
147309..	RPK 9/3	9	3	2,0
147312..	RPK 12/4	12	4	2,0
147316..	RPK 16/4	16	4	2,0
147317..	RPK 17/3	17	3	2,0
147319..	RPK 19/6	19	6	2,0
147321..	RPK 22/6	22	6	2,0
147325..	RPK 25/10	25	10	2,0
147330..	RPK 30/8	30	8	2,0
147332..	RPK 32/12 / final sale /	32	12	2,0
147332..	RPK 35/12	35	12	2,0
147341..	RPK 40/12	40	12	2,1
147340..	RPK 40/16	40	16	2,2
147350..	RPK 55/16	55	16	2,2
147352..	RPK 52/20	52	20	2,2
147364..	RPK 63/19	63	19	2,5
147364..	RPK 63/27 / final sale /	63	27	2,5
147375..	RPK 75/22	75	22	3,0
147380..	RPK 80/35	80	35	2,5
147395..	RPK 95/30	95	30	3,5
147300..	RPK 103/45	103	45	2,5
147315..	RPK 115/34	115	34	3,3
147303..	RPK 132/58	132	58	2,5
147314..	RPK 140/42	140	42	3,5

Ordering:

Example: 100 pcs RPK 63/19 – 1200 black
 Number of pieces _____ | _____ | _____ | _____ color
 Type _____ | _____ | _____ length

SKELDO s.r.o. , Radynska 24 , 326 00 Plzen , Czech Republic Telefax +420 - 377 246 372

1.6 Thick wall heat shrinkable tubes RG, RGK types



- black
- RG type without the inside wall sealant
- RGK type with thermoplastic inside wall sealant has high adhesiveness to metals, steel, aluminium and lead
- lengths: basic length 1m, max. length 1,2m
- high resistance against solvents, chemicals

Shrinking: temperature more than 120°C by hot air or soft yellow flame

Use: universal, for all kinds of whole-plastic cables as a mechanic protection or an electric insulation up to 1 kV

Packing: in closed folio with type indication

Storing: in a sheltered place, temperature from -10°C up to +35°C

Types and dimensions

Nr.	Type	Inside diameter before and after shrinking		Wall thickness after complete shrinking t mm	Basic length mm
		d ₁ mm	d ₂		
143119..	RG 19/6	19	6	2,4	1000
143145..	RG 45/12	45	12	4,1	1000
143150..	RG 50/18*	50	18	3,5	1000
143151..	RG 55/16	55	16	4,1	1000
143160..	RG 60/25*	60	25	3,5	1000
143185..	RG 85/25	85	25	4,1	1000
143180..	RG 95/29	95	29	4,0	1000
143100..	RG 105/32	105	32	4,0	1000
143102..	RG 128/55*	128	55	4,0	1000
143102..	RG 140/34	140	34	4,0	1000
143165..	RG 165/50	165	50	4,5	1000
143319..	RGK 19/6	19	6	2,4	1000
143334..	RGK 33/8	33	8	3,0	1000
143345..	RGK 45/12	45	12	4,1	1000
143351..	RGK 55/16	55	16	4,1	1000
143360..	RGK 60/25*	60	25	3,5	1000
143378..	RGK 75/22	75	22	4,1	1000
143380..	RGK 80/32*	80	32	4,0	1000
143380..	RGK 95/29	95	29	4,0	1000
143300..	RGK 100/42*	100	42	4,0	1000
143300..	RGK 105/32	105	32	4,0	1000
143305..	RGK 115/34	115	34	4,1	1000
143330..	RGK 130/36	130	36	4,3	1000
143302..	RGK 140/34	140	34	4,0	1000
143365..	RGK 160/55	160	55	4,5	1000
143375..	RGK 180/50	180	50	4,3	1000

* final sale

Ordering : 20 pcs RGK 60/25 – 1000

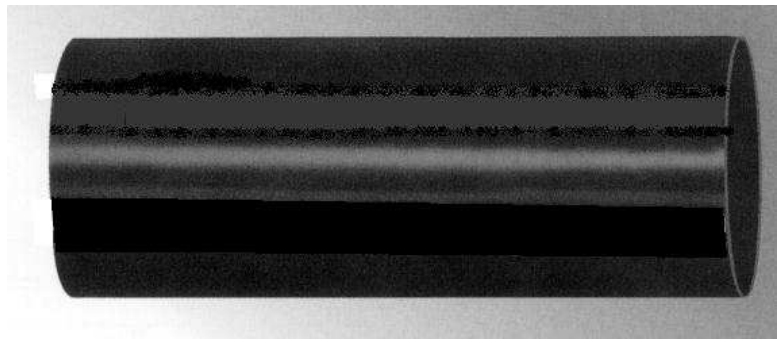
Number of pieces _____ | _____ | _____
 type _____ | _____ | _____ length

SKELDO s.r.o. , Radynska 24 , 326 00 Plzen , Czech Republic Telefax +420 - 377 246 372

1.7 Heat shrinkable tubes

RD, RDK types

with high shrink ratio



- black
- RD type without the inside wall sealant
- RDK type, after an agreement, with thermoplastic sealing tape, which has high adhesiveness to metals, steel, aluminium and lead
- lengths: basic length 1m, max. length 1,2m
- high resistance against solvents, chemicals
- **Shrinking:** temperature more than 120°C by hot air or soft yellow flame
- **Use:** universal, for all kinds of whole-plastic cables as a mechanic protection or an electric insulation up to 1 kV, as an anti-corrosion protection of metal materials

Packing: in closed folio with type indication

Storing: in a sheltered place, temperature from -10°C up to +35°C

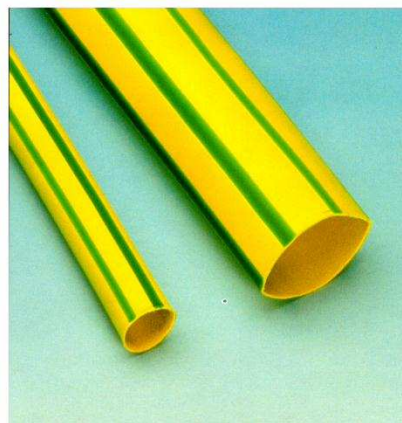
Types and dimensions

Nr.	Type	Inside diameter before and after shrinking		Wall thickness after complete shrinking	Basic length
		d ₁ mm	d ₂ mm		
14762200	RD 220/90	225	90	2,2	1000
14763000	RD 300/125	300	125	2,5	1000
14765000	RD 500/200	500	200	3,0	1000
14768200	RD 820/250	800	315	3,5	1000
14762210	RDK 220/90	225	90	2,2	1000
14763010	RDK 300/125	300	125	2,5	1000
14765010	RDK 500/200	500	200	3,0	1000
14768210	RDK 820/250	800	315	3,5	1000

Ordering :

Example : 20 pcs RD 220/90 - 1000
 Number of pieces _____
 type _____
 length _____

1.8 Yellow-green heat shrinkable tubes



- RCz, RPz types without the inside wall sealant
- RPKz type with the inside wall thermoplastic sealant

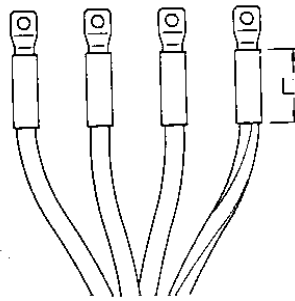
Use: for neutral conductor insulation

Nr.	Type	Inner diameter before and after shrinking (mm)		Wall thickness after complete shrinking t mm
		d ₁ mm	d ₂	
Thin wall RCz				
14830307	RCz 3,2/1,6	3,2	1,6	0,51
14800407	RCz 4,8/2,4	4,8	2,4	0,51
14800607	RCz 6,4/3,2	6,4	3,2	0,64
14800807	RCz 8/2	8,0	2,0	0,64
14800907	RCz 9,5/4,8	9,5	4,8	0,64
14801207	RCz 12,7/6,4	12,7	6,4	0,64
14801907	RCz 19/9,5	19,0	9,5	0,76
14802507	RCz 25,4/12,7	24,4	12,7	0,89
14803807	RCz 38/19	38	19	1,02
14835107	RCz 51/25,5	51	25,5	1,02
Medium wall without the inside sealant RPz				
14700907	RPz 9/3	9	3	2,0
14701207	RPz 12/4	12	4	2,0
14701807	RPz 18/6	18	6	2,0
14702507	RPz 25/10	25	10	2,0
14703207	RPz 32/12	32	12	2,0
14704007	RPz 40/16	40	16	2,0
Medium wall sealant-lined RPKz				
14700907	RPK 9/3	9	3	2,0
14751207	RPKz 12/4	12	4	2,0
14751807	RPKz 18/6	18	6	2,0
14752507	RPKz 25/10	25	10	2,0
14753207	RPKz 32/12	32	12	2,0
14754007	RPKz 40/16	40	16	2,0

Ordering: We supply the RCz types on a spool or cut into 1m pieces
it's impossible to supply the RPz and RPKz types on a spool.

Example: 20 pcs RPKz 32/12 – 1000
 Number of pieces _____
 type _____
 length _____

1.9 Heat shrinkable terminations



- for all kinds of whole-plastic cables
- suitable for both indoor and outdoor surroundings
- protection against the soaking moisture into the cable
- protection against dangerous contact during measuring, assembly, etc.
- green or yellow-green tube for neutral conductor

Packing:

- in closed folio with type indication

Types and dimensions

Nr.	Type	Cable diameters mm ²	Tube length L mm
Four-cored / AYKY, CYKY / (2x black, 1x brown, 1x yellow-green)			
14600124	KZ4X 6-25	4x6 - 4x25	50
14600186	KZ4X 16-50	4x16 - 4x50	70
14602510	KZ4X 70-95	4x70 - 3x95+70	80
14603212	KZ4X 95-150	3x95+70 - 3x150+70	100
14604016	KZ4X 185-240	3x185+95 - 3x240+120	120
Three-cored / AYKY, CYKY / (2x black, 1x brown)			
14630124	KZ3 6-25	3x6 - 3x25	50
14630186	KZ3 16-50	3x16 - 3x50	70
14632510	KZ3 70-95	3x70 - 3x95	80
14633212	KZ3 95-150	3x95 - 3x150	100
14634016	KZ3 185-240	3x185 - 3x240	120
Single-cored / AYKY, CYKY / (1x black)			
14610124	KZ1 6-25	1x6 - 1x25	50
14610186	KZ1 16-50	1x16 - 1x50	70
14612510	KZ1 70-95	1x70 - 1x95	80
14613212	KZ1 95-150	1x95 - 1x150	100
14614016	KZ1 185-240	1x185 - 1x240	120

Ordering :

Number of pieces 10 pcs | KZ4X 70 - 95 type

1.10 Heat shrinkable tubes, no tracking, type EAT



- universal and flexible
- no tracking red, heat shrinkable tubes for medium voltage applications.
- used mainly for high level insulation on medium voltage power cable terminations, up to 36 kV
- self extinguishing, halogen free.

Types and dimensions:

No.	Type	inner diameter		wall thickness after complete shrinking t mm
		before d ₁ mm	and after shrinking d ₂	
14753010	EAT 30/10	30	10	2,4
14754916	EAT 49/16	49	16	2,9
14757026	EAT 70/26	70	26	3,1

Ordering :

Number of pieces 10 m EAT 49/16 - 1000 length
 Type _____

1.11 Heat shrinkable rain shed

- Non tracking red heat shrinkable rain shed, including internal hot-melt adhesive.
- Self extinguishing, halogen free

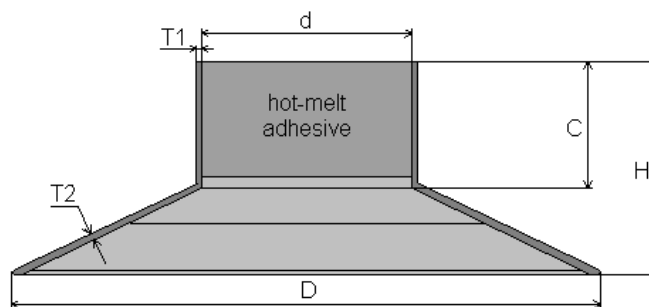
Use :

- used to increased external creepage length of power cable terminations.



No.	Type	D ±5%		d		H		C		T1 min		T2 min		Weight g
		a	b	a min	b max	a	b	a	b	a	b	a	b	
14114415	EIT1 44/15	95	95	44	15	-	40	-	20	1,5	3	3	3	35

a – before shrinking
 b – after shrinking



2. Cable accessories

2.1 Cable terminations

2.1.1 Heat shrinkable terminations up to 1kV

- for all kinds of wholeplast cable endings
- protection against moisture entering the cable
- protection against dangerous contact during measuring or assembly, etc.
- the inside-wall sealant-lined boot guarantees sealing the cable core, the inside wall sealant-lined tubes seal the space between the cable lugs and core insulation
- KSCZ4X type with following tube colours:
2x black; 1x brown; 1x yellow-green

Packing

- in a closed folio with type indication



Dimensions and types

Nr.	Type	For cable cross-section mm ²	Tube length L mm
Four-cored			
14540124	KSCZ4X 6-25	4x6 - 4x25	50
14540186	KSCZ4X 16-50	4x16 - 4x50	70
14542510	KSCZ4X 70-95	4x70 - 3x95+70	80
14543212	KSCZ4X 95-150	3x95+70 - 3x150+70	3x100+1x80
14544016	KSCZ4X 185-240	3x185+95 - 3x240+120	3x125+1x100

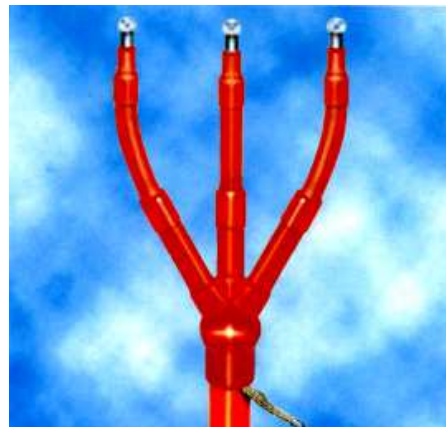
Five-cored

14550124	KSCZ5X 10-16	5x10 - 5x16	50
14550186	KSCZ5X 25-50	5x25 - 5x50	70

Ordering :

Number of pieces 10 pcs KSCZ4X 70-95 type

2.1.2 Indoor cable termination for three-cored cables with plastic insulation without semi-conductive screen for 6 kV



Indoor cable termination is used for three-cored cables with plastic insulation without semi-conductive screen for 6 kV with Cu tape or Cu wires screen (AYKCY, CYKCY). For the wires are used non-tracking self-extinguishing halogen free shrinkable tubes. Non-tracking self-extinguishing halogen free shrinkable boots covers space between the end of the cable and the wires. Earthing of copper tape screen or lead sheath is provide by NPU kit which includes roll springs and tined copper net tape (NPU kit doesn't supplied with the termination, it's possible to order this kit separately).

Shrinking : by hot air with temperature over 120°C or by soft yellow flame.
Storing : in a sheltered place between -10°C and +35°C

Nr.	Type	For cable cross-sections [mm ²]		Tube length L [mm]
14546301	KSCMTI 1	25 – 95	25 – 95	500
14546302	KSCMTI 2	25 – 95	25 – 95	1000
14546303	KSCMTI 1	120 – 240	120 – 240	500
14546304	KSCMTI 2	120 – 240	120 – 240	1000

- Termination kit includes tubes for three phases. Using of full cable lugs is recommended.
- It's possible to order termination kit with different tube lengths or the tubes could be shorted before assembly. Min. tube length is 250mm.

Order: KSCMTI 1 25-95 20 pcs
Termination type _____ | _____ | _____ number of pieces
Cross-section _____ | _____

Kit for non-soldered connecting of earthing conductor for cables with copper tape screen or lead sheath

Nr.	Type	Cable cross-section [mm ²]	
13000025	NPU 25 – 95	25 – 95	25 – 95
13000120	NPU 120 – 240	120 – 240	120 – 240

2.1.3 Outdoor cable termination for three-cored cables with plastic insulation without semi-conductive screen for 6 kV



Outdoor cable termination is used for three-cored cables with plastic insulation without semi-conductive screen for 6 kV with Cu tape or Cu wires screen (AYKCY, CYKCY). For the wires are used non-tracking self-extinguishing halogen free shrinkable tubes. Non-tracking self-extinguishing halogen free shrinkable boots covers space between the end of the cable and the wires. Earthing of copper tape screen or lead sheath is provide by NPU kit which includes roll springs and tined copper net tape (NPU kit doesn't supplied with the termination, it's possible to order this kit separately). On each wire is slide up heat shrinkable rain shed.

Shrinking : by hot air with temperature over 120°C or by soft yellow flame.
Storing : in a sheltered place between -10°C and +35°C

Nr.	Type	For cable cross-sections [mm ²]	Tube length L [mm]	Number of sheds
14546311	KSCMTO 1	25 – 95	500	3 x 1
14546312	KSCMTO 2	25 – 95	1000	3 x 1
14546313	KSCMTO 1	120 – 240	500	3 x 1
14546314	KSCMTO 2	120 – 240	1000	3 x 1

- Termination kit includes tubes for three phases. Full cable lug must be used !
- It's possible to order termination kit with different tube lengths or the tubes could be shorted before assembly. Min. tube length is 450mm.

Order: KSCMTO 1 25-95 20 pcs
Termination type _____ | _____ | _____ number of pieces
Cross-section _____ | _____

Kit for non-soldered connecting of earthing conductor for cables with copper tape screen or lead sheath

Nr.	Type	Cable cross-section [mm ²]
13000025	NPU 25 – 95	25 – 95
13000120	NPU 120 – 240	120 – 240

2.1.4 Indoor cable termination for single-cored cables with plastic insulation without semi-conductive screen for 6 kV



Indoor cable termination is used for single-cored cables with plastic insulation without semi-conductive screen for 6 kV with Cu tape or Cu wires screen (AYKCY, CYKCY). For the wire is used non-tracking self-extinguishing halogen free shrinkable tube. Earthing of copper tape screen or lead sheath is provide by NPU kit which includes roll spring and tined copper net tape (NPU kit doesn't supplied with the termination, it's possible to order this kit separately).

Shrinking : by hot air with temperature over 120°C or by soft yellow flame.
Storing : in a sheltered place between -10°C and +35°C

Nr.	Type	For cable cross-sections [mm ²]	Tube length L [mm]
14546101	KSCMJI 120 – 500	120 – 500	333

- Using of full cable lug is recommended.
- It's possible to order termination kit with different tube length or the tube could be shorted before assembly. Min. tube length is 250mm.

2.1.5 Outdoor cable termination for single-cored cables with plastic insulation without semi-conductive screen for 6 kV



Outdoor cable termination is used for single-cored cables with plastic insulation without semi-conductive screen for 6 kV with Cu tape or Cu wires screen (AYKCY, CYKCY). For the wire is used non-tracking self-extinguishing halogen free shrinkable tube and heat shrinkable rain shed. Earthing of copper tape screen or lead sheath is provide by NPU kit which includes roll spring and tined copper net tape (NPU kit doesn't supplied with the termination, it's possible to order this kit separately).

Shrinking : by hot air with temperature over 120°C or by soft yellow flame.
Storing : in a sheltered place between -10°C and +35°C

Nr.	Type	For cable cross-sections [mm ²]	Tube length L [mm]
14546111	KSCMJO 120 – 500	120 – 500	333

- Full cable lug must be used !
- It's possible to order termination kit with different tube length or the tube could be shorted before assembly. Min. tube length is 250mm.

Order: KSCMJI 120-500 20 pcs
Termination type _____ | _____ | _____ number of pieces
Cross-section _____ | _____

2.2 Cable joints



2.2.1 Heat shrinkable cable joints for cables with plastic insulation up to 1kV

The joint consists of the number of shrinkable tubes according to the number of cable cores. The cores can be combined by welding, or with the screwing or crimping joints. (Crimping joints are not supplied.) The tubes substitute for the core insulation. The outer covering tube substitutes for cable sheathing. The tubes have the thermoplastic inside wall sealant of high adhesiveness. Shrink temperature is more than 120°C by hot air or soft yellow flame.

Use : for the AYKY, CYKY, NYY cable types

Packing : in a closed folio with type indication and installation instructions

Storing : in a sheltered place between -10°C and +35°C

Cable joint for four-cored cables with plastic insulation up to 1kV

Nr.	Type	Cable cross-section mm	Tube lengths		Crimping joints
			L1 mm	L2	
10122222	SVCZC 4-10	4 – 10	330	80	4-10 Al, Cu
10122221	SVCZC 6-35	6 – 35	450	125	6-35 Al, 6-50 Cu
10122224	SVCZC 16-50	16 – 50	600	180	16-50 Al, 16-70 Cu
10122225	SVCZC 35-150	35 – 150	750	200	35-150 Al, Cu
10122227	SVCZC 95-240	95 – 240	850	240	95-240 Al, Cu

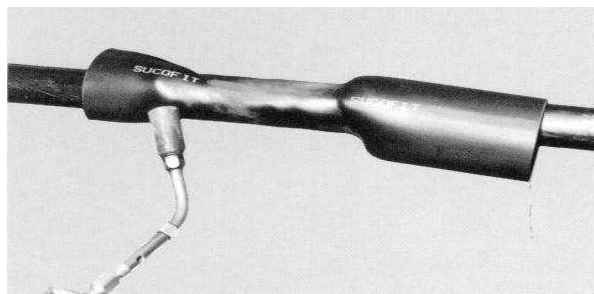
Cable joints with screwing joints for cables with plastic insulation up to 1kV

Nr.	Type	For cable cross-sections [mm ²]	Screwing joints	Number of screw. joints
10127101	SVCZ 4x 1,5 – 6 S	1,5 – 6	1,5 – 6	4
10127102	SVCZ 5x 1,5 – 6 S	1,5 – 6	1,5 – 6	5
10127110	SVCZ 3x 4 – 16 S	4 – 16	4 – 16	3
10127111	SVCZ 4x 4 – 16 S	4 – 16	4 – 16	4
10127112	SVCZ 5x 4 – 16 S	4 – 16	4 – 16	5
10122111	SVCZC 6-35S	6 – 35	6-35 sm, 50 rm 6-35 re, 25 se	4
10122112	SVCZC 35-95S	35 – 95	25-95 rm, 25-70 sm 25-50 re, 70 se	4
10122113	SVCZC 70-150S	70 – 150	35-150 sm 35-150 se, re	4
10122115	SVCZC 150-240S	150 – 240	3x 150-240 rm 1x 35-150 sm, se, re	3+1
10122114	SVCZC 4x150-240S	150-240	150-240rm	4

Order:

Example : 10 pcs SVCZC 4x 6-35S

2.2.2 Heat shrinkable cable joints 0,6 / 1kV for cable types AYKY and CYKY



The advantage of these joints is their completeness for each cable cross-section. The joint consists of four shrinkable tubes for cable cores. The tubes substitute for insulation of the cores. The outer covering tube is black and substitutes for cable sheathing. All the tubes have the thermoplastic inside wall sealant of high adhesiveness. Four pieces of electroconductive aluminium or copper crimping cable joints for appropriate cable cross-section are included in separate cover.

Use : for the AYKY or CYKY type cables

Packing : in a closed folio with type indication with installation instructions

Storing : in a sheltered place between -10°C and $+35^{\circ}\text{C}$

Nr.	Type	Cable cross-section mm	Tube length		Number of pieces of the crimping joints
			L1 mm	L2	

Setting the four-cored cables AYKY

10122400	SVCZC 16-Al	16	450	125	4
10122401	SVCZC 25-Al	25	450	125	4
10122402	SVCZC 35-Al	35	600	180	4
10122403	SVCZC 50-Al	50	600	180	4
10122404	SVCZC 70-Al	70	750	200	4
10122405	SVCZC 95-Al	95	750	200	4
10122406	SVCZC 120-Al	120	750	200	3+1
10122407	SVCZC 150-Al	150	750	200	3+1
10122408	SVCZC 185-Al	185	850	240	3+1
10122409	SVCZC 240-Al	240	850	240	3+1

Setting the four-cored cables CYKY

10123498	SVCZC 6-Cu	6	330	80	4
10123499	SVCZC 10-Cu	10	330	80	4
10123400	SVCZC 16-Cu	16	450	100	4
10123401	SVCZC 25-Cu	25	450	125	4
10123402	SVCZC 35-Cu	35	500	125	3+1
10123403	SVCZC 50-Cu	50	600	180	3+1
10123404	SVCZC 70-Cu	70	600	180	3+1
10123405	SVCZC 95-Cu	95	700	200	3+1
10123406	SVCZC 120-Cu	120	800	200	3+1
10123407	SVCZC 150-Cu	150	800	200	3+1
10123408	SVCZC 185-Cu	185	900	240	3+1
10123409	SVCZC 240-Cu	240	900	240	3+1

Ordering :

10 pcs SVCZC 120-Al
 Four-cored cable _____ | _____ | _____
 Cable cross-section _____ | _____ | _____ Al – crimping joints

2.2.3 Cable joints for five-core cables up to 1kV



The joint includes five heat shrinkable tubes ensuring core insulation and outer jacket tube on cable jacket. All tubes include on inner side thermoplastic sealant with high adhesivity. Conductor connection can be performed by welding or with an aid of crimping joints.

Shrinking : by hot air with the temperature more than 120°C or by soft yellow flame

Application : for five-core plastic cables

Packing : in a closed folio with type indication

Storing : in sheltered place, temperature from -10°C up to +35°C

Nr.	Type	Cable cross-section (mm ²)
-----	------	-------------------------------------------

Cable joints for five-core plastic cables

10124223	SVCZP 10 – 25	10 – 25
10124224	SVCZP 25 – 35	25 – 35

Cable joints for five-core plastic cables (inclusive of crimping joints) with copper cores

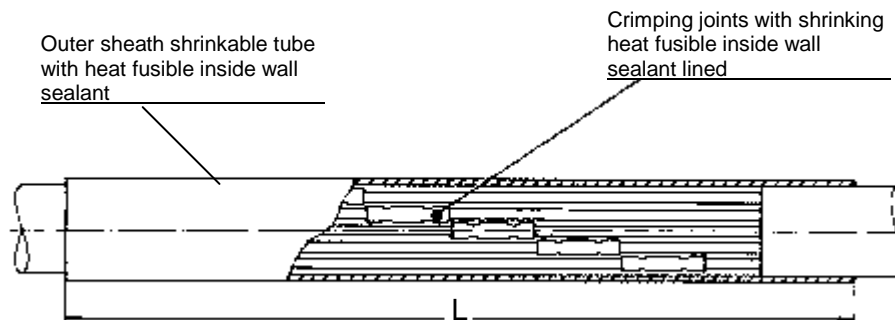
10125398	SVCZP 6 – Cu	6
10125399	SVCZP 10 – Cu	10
10125400	SVCZP 16 – Cu	16
10125401	SVCZP 25 – Cu	25
10125402	SVCZP 35 – Cu	35
10125403	SVCZP 50 – Cu	50
10125404	SVCZP 70 – Cu	70

Cable joints for five-core plastic cables (inclusive of crimping joints) with aluminium cores

10124400	SVCZP 16 – Al	16
10124401	SVCZP 25 – Al	25
10124402	SVCZP 35 – Al	35

Ordering : 10 pcs SVCZP 16-Al
 Five-core cable _____ | _____ | _____
 Cable cross-section _____ | _____ Al – crimping joints

2.2.4 Joints for multi-cored cables with insulated crimping joints



Use : for multi-core cables with plastic insulation without armouring up to 1kV

Composition : the complete joint is composed by insulated pressing joints which number is in accordance to the number of cable cores and one outer sheath tube. Both the sheath tube and the core shrinking tube ends are lined by a heat fusible inside wall sealant.

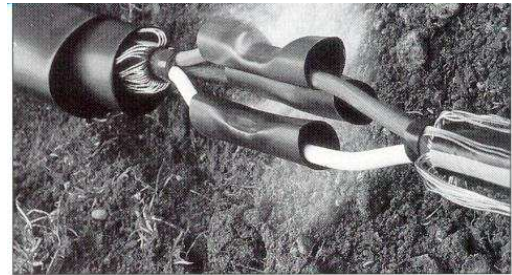
Packing : in a closed folio with type indication and installation instructions

Storing : in a sheltered place between -10°C and $+35^{\circ}\text{C}$

Nr.	Type / booking	Nr. /	L /mm/	Cable diameter /mm/	
				min.	max.
10122503	SVCZV	3x0,5 – 1	330	7	17
10122504	SVCZV	4x0,5 – 1	330	7	17
10122505	SVCZV	5x0,5 – 1	330	9	24
10122507	SVCZV	7x0,5 – 1	330	9	24
10122512	SVCZV	12x0,5 – 1	330	11	31
10122519	SVCZV	19x0,5 – 1	330	11	31
10122524	SVCZV	24x0,5 – 1	380	15	39
10122537	SVCZV	37x0,5 – 1	380	15	39
10123503	SVCZV	3x1,5 – 2,5	330	9	24
10123504	SVCZV	4x1,5 – 2,5	330	9	24
10123505	SVCZV	5x1,5 – 2,5	330	9	24
10123507	SVCZV	7x1,5 – 2,5	330	9	24
10123512	SVCZV	12x1,5 – 2,5	330	11	31
10123519	SVCZV	19x1,5 – 2,5	380	15	39
10123524	SVCZV	24x1,5 – 2,5	380	15	39
10123537	SVCZV	37x1,5 – 2,5	380	15	39
10123548	SVCZV	48x1,5 – 2,5	380	15	39
10124503	SVCZV	3x4 – 6	330	9	24
10124504	SVCZV	4x4 – 6	330	9	24
10124505	SVCZV	5x4 – 6	330	11	31
10124507	SVCZV	7x4 – 6	330	11	31
10124512	SVCZV	12x4 – 6	330	15	39

Ordering : 10 pcs SVCZV 7 x 1,5
 Multi-core cable _____ | _____ core cross-section
 | _____ number of cores

2.2.5 Joints for three-core plastic cables without semi-conductive screen up to 6kV



- joints for cables with copper wire or copper tape screen (AYKCY,CYKCY)
- the core connection is covered by a tape and heat shrinkable tube with sealant ensures insulation and water sealing of the cores. Screen wires are connect by net tape with an aid of roll spring. On outer jacket is shrunk thick wall shrinkable tube with sealant.

Nr.	Type	U_0/U (kV)
10126301	SVCMT 25-50	3,5/6
10126302	SVCMT 70-150	3,5/6
10126303	SVCMT 185-240	3,5/6
10126311	SVCMT 25-AI	3,5/6
10126312	SVCMT 35-AI	3,5/6
10126313	SVCMT 50-AI	3,5/6
10126314	SVCMT 70-AI	3,5/6
10126315	SVCMT 95-AI	3,5/6
10126316	SVCMT 120-AI	3,5/6
10126317	SVCMT 150-AI	3,5/6
10126318	SVCMT 185-AI	3,5/6
10126319	SVCMT 240-AI	3,5/6

2.2.6 Joints for single-core plastic cables without semi-conductive screen up to 6kV

- joints for cables with copper wire or copper tape screen (AYKCY,CYKCY)
- the core connection is covered by a tape and heat shrinkable tube with sealant ensures insulation and water sealing of the core. Screen wires are connect by net tape with an aid of roll spring. On outer jacket is shrunk thick wall shrinkable tube with sealant.

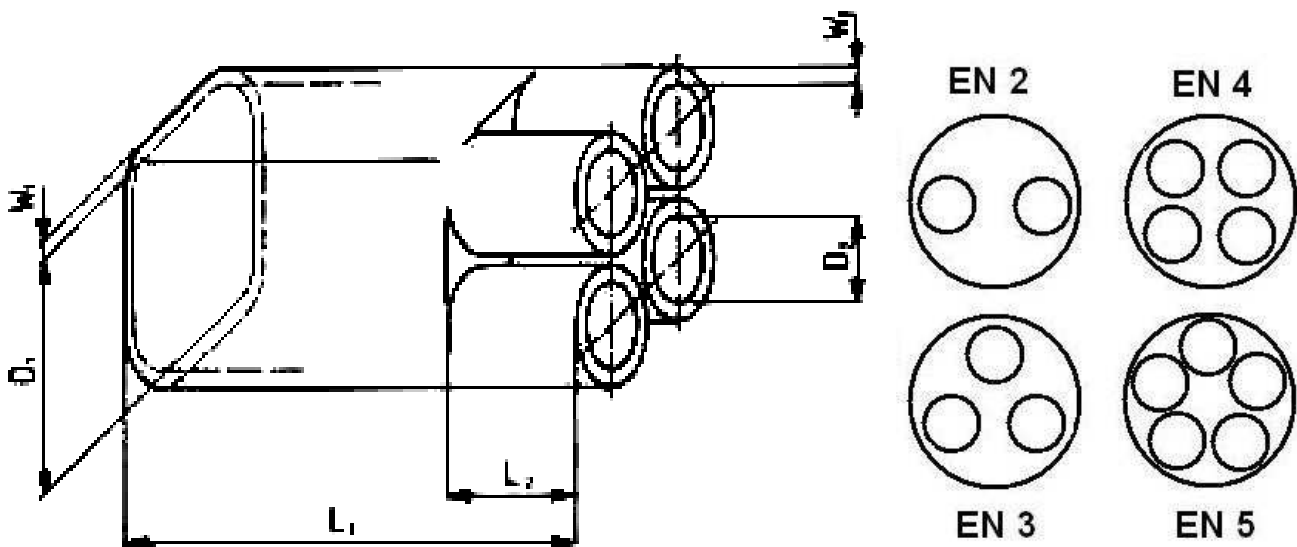
Nr.	Type	U_0/U (kV)
10126101	SVCMJ 300-500	3,5/6

Ordering : 10pcs SVCMT 25-50 10ks SVCMT 25-AI
 Type _____|_____|_____|_____
 Cable cross-section _____|_____|_____|_____

3.2 Heat-shrinkable breakouts



- used to protect cable terminations against moisture
- special inside wall sealant guarantees tightness
- easy shrinking assembly with soft yellow flame or more than 135°C hot air
- suitable for both indoor and outdoor applications
- the shrinking parts should be at least 5mm larger than the cable diameter
- the cable should be cleaned and pre-heated before sealing
- start shrinking in the middle of the breakout and continue up and down to the ends



Types and technical data:

Nr.	Type	D ₁	D ₁ *	D ₂	D ₂ *	L ₁	L ₂	W ₁ *	W ₂ *	cable diameter
14213015	EN 2	30	10	14	4,0	90	25	2,0	2,0	6-25
14315630	EN 3.1	52	22	22	8,0	180	45	3,0	2,0	70-150
14328045	EN 3.2	78	35	36	16,0	210	50	4,0	3,0	185-300
14413516	EN 4.1	38	15	13	4,0	90	20	2,5	2,0	6-50
14435525	EN 4.3	60	26	25	8,0	170	30	3,3	2,5	50-150
14457838	EN 4.5	90	44	33	13	210	40	4,0	3,5	185-300
14514311	EN 5.1	43	18	11	3,8	175	60	2,8	2,8	10-35
14526030	EN 5.2	60	25	30	7,5	180	30	3,5	3,0	35-95

* recovered

3.3 TPM – brickwork bushing

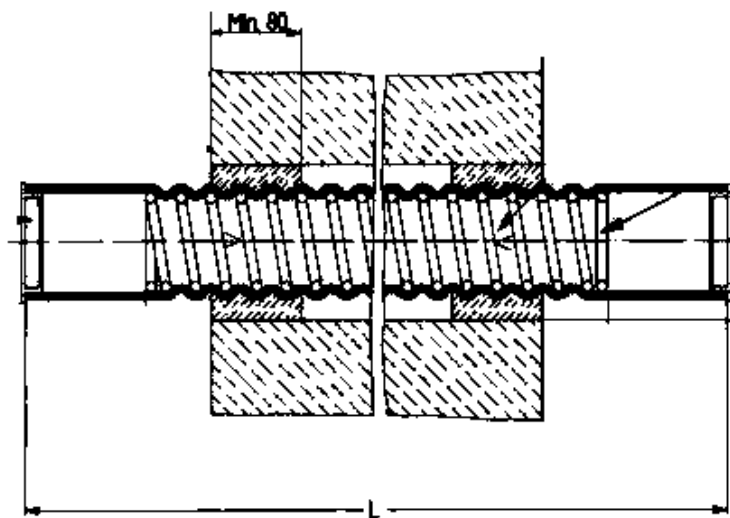


Use:

TPM – brickwork bushing is used for sealing a cable passing through a brickwork.

Characteristics:

- waterproofed
- gasproofed
- resistant against chemicals
- resistant against climatic changes



L: Length before shrinking

Nr.	Type	Cable diameter in mm		Bushing length L (mm)	Max. brickwall width in mm
		min.	max.		
14701410	TPM – 14/10	10	14	800	500
14702312	TPM – 23/12	12	23	800	500
14702816	TPM – 28/16	16	28	800	500
14703820	TPM – 38/20	20	38	800	500
14705027	TPM – 48/27	27	48	800	500
14708645	TPM – 86/45	45	86	800	500

3.4 Heat shrinkable repairing sleeves for cables with plastic or paper insulation

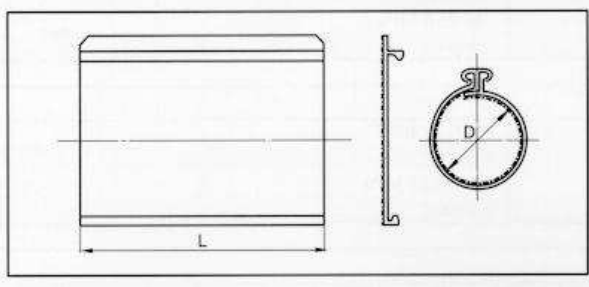
Application:

Heat-shrinkable repairing sleeve SM is used for quick, high quality and heavy-duty repairs of damaged cable sheaths. It guarantees sealing against water entering cable insulation. It substitutes for plastic cable sheath and plastic anticorrosive metal sheath protection. The metal connecting strip can be removed after complete cooling down the sleeve.

Č.	Typ
14642825	SM 42/8 - 250
14642850	SM 42/8 - 500
14642875	SM 42/8 - 750
14642800	SM 42/8 - 1000
14650125	SM 50/10 - 250
14650150	SM 50/10 - 500
14650175	SM 50/10 - 750
14650100	SM 50/10 - 1000
14675050	SM 75/22 – 500
14675100	SM 75/22 – 1000
14690050	SM 93/36 – 500
14690100	SM 93/36 – 1000
14610050	SM 100/30 – 500
14610100	SM 100/30 – 1000
14612050	SM 135/38 – 500
14612100	SM 135/38 – 1000



Dimensions:
 D: inner diameter
 L : length before shrinking



Ordering : SM 42/8 - 250 2pcs
 Inside diameter before shrinking _____ | _____ | _____ Number of pieces
 Inside diameter after shrinking _____ | _____ Sleeve length before shrinking

Electro-insulating repairing tape with adhesive - TKT



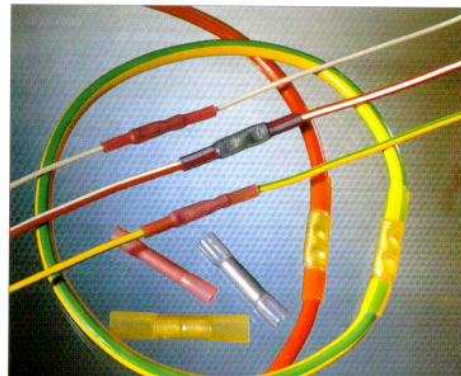
They are recommended where the execution of durable and leakproof connection of structural components is required. Good adhesion to metallic, wooden components and to building ceramics and plastics gives the possibility to apply the heat shrinkable tapes by the mounting of ventilation pipes, conductors, electric and telecommunication cables. Connections made of **TKT** tape are resistant to mechanical damages and corrosion.

No.	Type	Length m	Width mm	Thickness mm
14810250	TKT – 25 / 05 / 03	30	25	0,5
14810500	TKT – 50 / 05 / 03	30	50	0,5
14811000	TKT – 100 / 05 / 03	30	100	0,5
14811500	TKT – 150 / 05 / 03	30	150	0,5
14810501	TKT – 50 / 1 / 03	30	50	1,0

Ordering :

Example : 10 pcs TKT – 25/05/03
Number of pieces | |
Type | |

3.6 Heat shrinkable insulated crimping joints



Connection element is composed by a compression joint and heat shrinkable sealant-lined tube put on it.

Use:

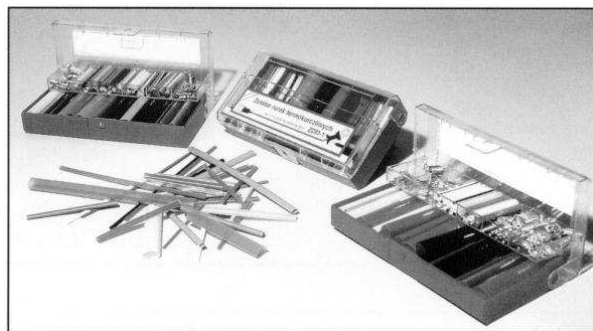
For connecting conductors in electroinstallations up to 1kV. Shrinking temperature 110°C-200°C.

Nr.	Type	Conductor cross-section (mm ²)	Colour
14033041	DR 1	0,5 - 1,0	red
14033042	DR 2	1,5 - 2,5	blue
14033043	DR 3	4,0 - 6,0	yellow

3.8 Shrinkable tube set ZDM – 1 , ZDM – 2

Use:

- in household – to wend electrical appliances such as refrigerators, vacuum cleaners, iron, electronically appliances, etc.
- in technology of modellers, fishermen
- as an insulation of hand tools – pliers, screwdrivers, etc.



Specification: ZDM – 1 type

Nr. 14800001

Nr.	Contains	Type	L	Number of pcs.
1	Shrinkable	RC 2,4/1,2	95	60
2	tubes	RC 3,2/1,6	95	40
3		RC 4,8/2,4	95	24
4		RC 6,4/3,2	95	14
5		RC 12,7/6,4	95	2
6		RC 19,0/9,5	95	2
7		RC 25,4/12,7	95	2
8		RC 2,4/1,2	195	3
9		RC 3,2/1,6	195	2
10		RC 4,8/2,4	195	3
11		RC 6,4/3,2	195	2
12		RC 9,5/4,8	195	1
13		RC 12,7/6,4	195	1

Specification : Type ZDM – 2

Nr. 14800002

Nr.	Contains	Type	L	Number of pcs.
1		RC 1,6/0,8	55	60
2	Shrinkable	RC 2,4/1,2	55	30
3	tubes	RC 3,2/1,6	55	25
4		RC 4,8/2,4	55	15
5		RC 6,4/3,2	100	15
6		RC 9,5/4,8	100	8
7		RC 12,7/6,4	100	8
8		RC 19,0/9,5	100	3
9		RC 12,0/4,0	100	6
10	Cable terminal	B 311		10
11	Soft solder		350	3
12	Clamp			10

Case size : 210 x 105 x 50 mm

Weight : ZDM-1 0,27 kg, ZDM-2 0,31 kg

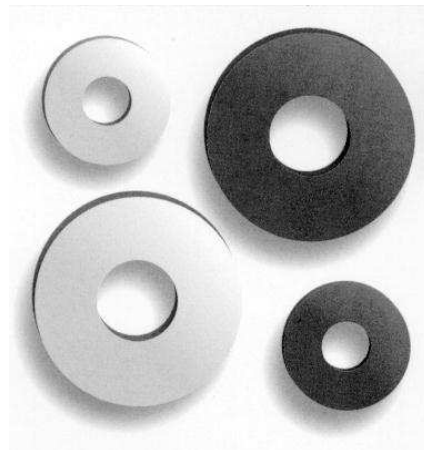
Dielectric strength : up to 1 kV

Shrinking : temperature more than 120°C by hot air or soft yellow flame

3.10 Cu/Al washer

Use:

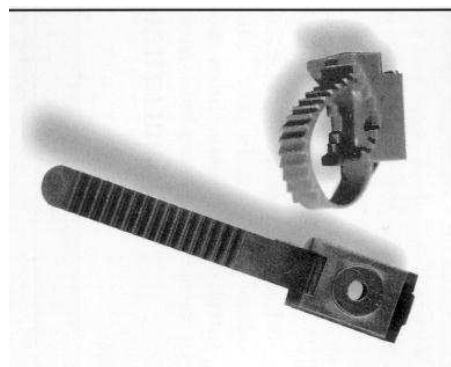
The Cu/Al washers are used in power industry and electronically machinery where materials from aluminium and copper are connected. The washers obstruct minicell effect emergence in connecting conductors from different materials.



Nr.	Type	d ₁ (mm)	d ₂ (mm)	s (mm)
10000001	PC 8,5	19	8,5	1
10000002	PC 11	24	11	1
10000003	PC 13	30	13	1
10000004	PC 17	38	17	1

3.11 Insulating clamp

UP – 22, UP – 30, UP – 50
types for insulated conductors

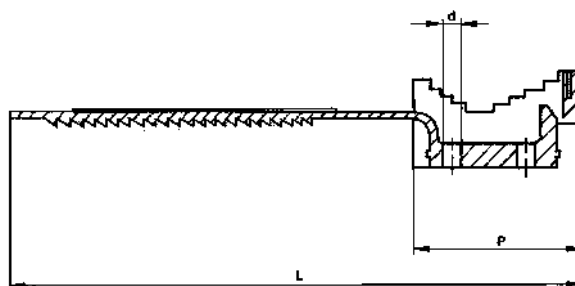


Description:

The insulating clamp is made from white or black polyethylene with elastic tape that helps to fix the conductor quickly.

Use:

The clamp is used for insulated conductor assembly. The conductor diameter should be between 7,5 and 22 mm. The clamp is fixed on the subsurface by a screw.



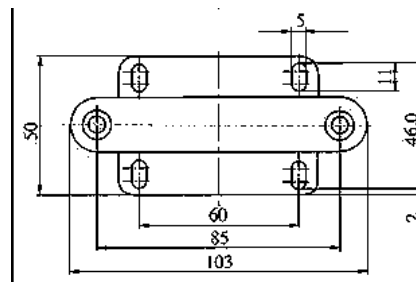
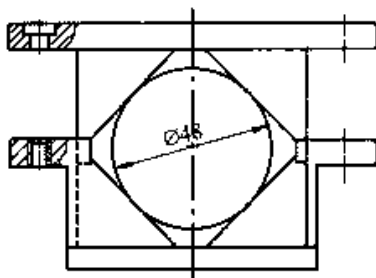
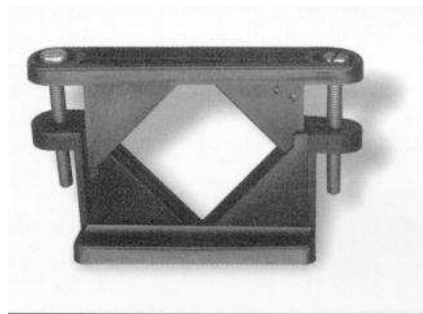
Nr.	Type	L	T	P
14000001	UP - 22	96	17	28
14000002	UP - 30	140	23	37
14000003	UP - 50	220	52	61

3.12 The UKU – 50 type universal cable clamp

Use:

The cable clamp is used for fixing cables with diameter from 28 to 50 mm.

Nr. 14000004



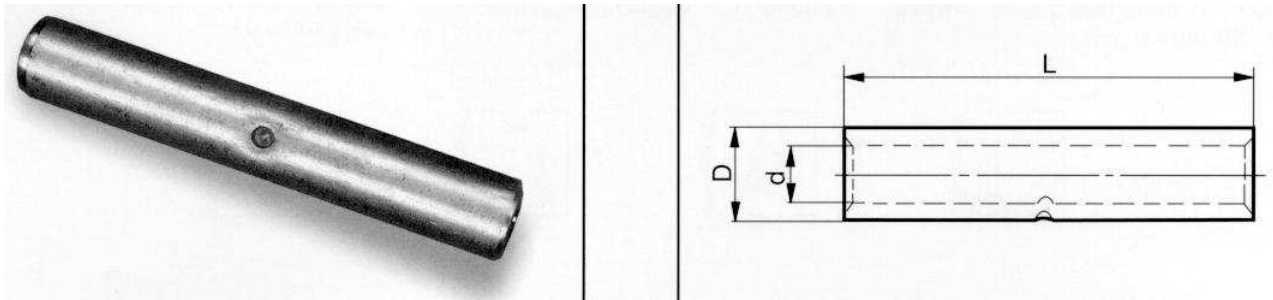
3.13 Roll springs



- for connection copper screen or lead or aluminium cable jacket
- simple installation without tools – wrapping the roll spring
- provides current passage through hole circuit

Nr.	Type	Min. diameter mm	Max. diameter mm
14050001	S1	18	29
14050002	S2	23	27
14050003	S3	26	44
14050004	S4	31	50
14050005	S5	38	68
14050006	S6	58	94

3.15 Compression joints Al and Cu



For circular stranded aluminium or copper, circular stranded, sector shaped stranded, circular solid and sector shaped solid aluminium or copper conductors.
For non-tension connections.

Nr.	Conductor cross-section	ø mm conductor	Dimensions mm			Packing unit	Weight kg
			d	l	D		
Compression joints Al							
10628055	16	4,4 - 5,4	5,5	65	9,5	10	0,007
10628065	25	5,4 - 6,4	6,5	70	11,5	12	0,010
10628080	35	6,6 - 7,8	8,0	75	14,0	14	0,020
10628095	50	7,6 - 8,9	9,5	85	15,5	16	0,023
10628110	70	9,3 - 10,7	11,0	105	18,0	18	0,033
10628130	95	11,0 - 12,6	13,0	105	21,0	21	0,060
10628145	120	12,5 - 14,2	14,5	115	24,5	24/25	0,092
10628160	150	13,7 - 15,7	16,0	125	25,0	24/25	0,095
10628180	185	15,3 - 17,6	18,0	133	28,0	28	0,144
10628210	240	17,5 - 20,2	21,0	140	32,0	32	0,191
Compression joints Cu							
10627006	6	5					
10627010	10	4,1	4,5	32	6,0	6	
10627016	16	5,1	5,7	50	8,5	8	
10627025	25	5,6-6,5	7,0	50	10,0	10	
10627035	35	6,6-7,5	8,2	50	12,5	12	
10627050	50	7,7-8,6	10,0	55	14,5	14	
10627070	70	9,3-10,2	11,5	55	16,5	16	
10627095	95	11,0-12,0	13,5	70	19,0	18	
10627120	120	12,5-13,5	15,5	70	21,0	20	
10627150	150	13,9-15,0	17,0	80	23,5	22	
10627185	185	15,5-16,8	19,0	85	25,5	25	
10627240	240	17,8-19,2	21,5	90	29,0	28	

Sector-shaped conductors must be rounded with rounding jaws.

3.16 The *PBSH 3* soldering set

Nr. 30150001

Use:

- Soldering set PBSH 3 is meant for soft soldering, for hard soldering thin sheets with solder with working temperature up to 800°C, for shrinking, removing old coats of paint, and for various kinds of heating. Propane-butane (basic composition 60% P + 40 % B) and primary air are used.
- It consists of a handle with quick-operating valve and regulatable gas saver, a Lomat Piezo30 burner, PB-closing valve, connecting tubing 2,5 m and multi-opening wrench. The whole set is in metal case.



4. Cable assembly tools

4.1 Cable knives, pliers

The shuttled knife NSC 1

This shuttled knife is used to remove the cable insulation off.

Nr. 11100001



Straight cable knife

Nr. 11000002



The knife for rubber NG

Nr. 11000005



The knife NZ

Nr. 11000004



The pressing pliers K 2

These pressing pliers are used to press on insulated joints. For diameters between 0,5 – 6 mm.

Nr. 30140002



4.2 Hydraulic and electric tools

Foot-operated hydraulic pump HYG-N-80T

Nr. 30240001



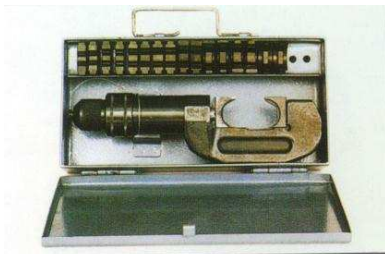
Purpose: source of pressure for hydraulic tools
Description: Hydraulic generator is a compact unit with the piston pump, pressure relief valve, oil reservoir and lever arm for foot operation. Generator is equipped with high pressure hose for quick coupling. The lever arm of unit is shaped as a handle to be carried easily.

Technical specification: dimensions – length...620 mm height...200mm
 width...200 mm weight...7kg

oil tank.....1,2 l
 hose's length.....2 m
 operating pressure...80 MPa

Hydraulic crimping head LH 6,5

Nr. 30230001



Purpose: For all types of crimping jobs on aluminium cables till 240 mm² of cable grips and terminals especially in cramped room.

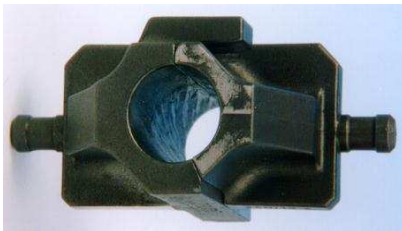
Description: Hydraulic crimping head LH 6,5 is constructed both for co-operation with foot-operated hydraulic pump HYG-N-80T and motor-operated hydraulic pump HYG-E-802. All these devices are equipped with quick couplings for easy connection. LH 6,5 is delivered with optional set of hexagonal crimping dies.

Technical specifications: dimensions – length...280 mm weight...2,6 kg
 width...48 mm
 height...78 mm

hexagonal crimping dies: 16,25,35,50,70,95,120+150,185,240 mm²

Rounding jaws

Nr. 4010090 – set in a case



Rounding and shaping jaws for LH 6,5 – pressing head determined

Nr.	Marking	ø d mm	for cross-section (mm ²)	Weight kg
Rounding jaws				
40009512	95/12,5	12,5	95	0,49
40012013	120/13,5	13,5	120	0,49
40015015	150/15	15,0	150	0,47
40018517	185/17	17,0	185	0,44
40024019	240/19,2	19,2	240	0,41

Shaping jaws

Shaping jaws

40000090	-	-	-	0,30
----------	---	---	---	------



Use: Rounding jaws:

to round Al and Cu se/sm cable cores

Shaping jaws:

to bend strip to 90°, to shape conductors up to ø9 mm, to shape earthing strip and Al and Cu strip up to 9 mm thickness and 40 mm width.

4.3 Other tools

Hand-operated punching tool DZP – 11

Nr. 30110001



Use: for punching holes of diameter 11 mm into the earthing strips
(e.g. 30 x 4 mm zinc-coated metal strip)

Technical dimensions – length...455 mm weight...2,1 kg
width.....42 mm
height...110 mm

Gradual cables-cutter PN-AL-40

Nr. 30120002



Use: for gradual cutting of the aluminium cables and cable cores
till 40mm of diameter.

Technical dimensions – length...635 mm height...110 mm
width.....22 mm weight...2,8 kg

Distance-measuring wheels TK 100

Distance-measuring wheel TK-100 (wheel average 36 cm) allows numerical reading of longitude. Measuring range of TK-100 is 0 – 9.999 m. Longitude is possible read lengthways 1cm. Analogue counter with possibility of reset is set in lower parts of folding handle, above the wheel (counter on drive astern is countdown – possibility of corrections trace out course). Distance-measuring wheel is equipped with a wheel brake and a jack.

